

1131 Wait/Enter Kit



1131 Wait/Enter Kit

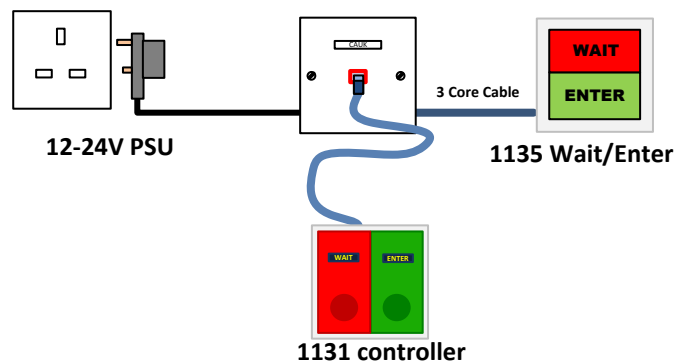
The 1131 Wait/Enter kit contains all the parts required to install the system including the power supply and RJ45 Socket.

The 1131 desk unit mimics the Wait/Enter lamps displayed on the indicator. Pressing the buttons on the 1131 will toggle the lamps on the indicator and on the desk unit.

- Simple to install.
- Bright LED coloured indicator.
- Easy to see in sunlight.
- Illuminated desk unit.
- Simple toggle function.
- Main powered.
- Robust desk unit.
- The desk unit can be wall mounted if required.

Additional parts can be purchased for multi door rooms.

1131 Wait/Enter kit wiring overview



1131 Wait/Enter Kit



Features

- Easy to install
- Easy to use
- 3 core Telephone cable could be used.
- All Parts fit standard UK single gang socket boxes
- The controller can be wall or desk mounted.
- Can be mounted over or at the side of doors
- Maintenance free

1131 Wait/Enter Kit

1131 Wait/Enter Installation

The 1131 Wait/Enter stand alone kit is simple to install using 3-core telephone cable. The 12v PSU allows for safe low voltage wiring inside any area. Please follow the simple wiring diagram that can be downloaded from the web page.

Positioning the components

It is important to ensure that the wait/enter indicators are positioned so they are easily seen. They should be above head height and at the handle side of the door.

The plug-top 12Vdc transformer is plugged into the nearest 240 Volt socket. In-line transformers are also available when using fused spurs.

The 1131wait/enter kit is very easy to install but please use the correct IDC tool when punching the cables into the RJ45 socket to avoid damage.



The Kit Components

1135 Bi-Colour Lamp

Also available in different colours and with different text. Size 86 x 86 x 75mm

1131 Wall controller

When the controller is to be wall mounted the RJ45 socket is not needed.

Size 86 x 86 x 34mm (Desk)

Size 86 x 86 x 10mm (Wall)

12Vdc PSU

For stand alone systems a small power supply will be needed.

